
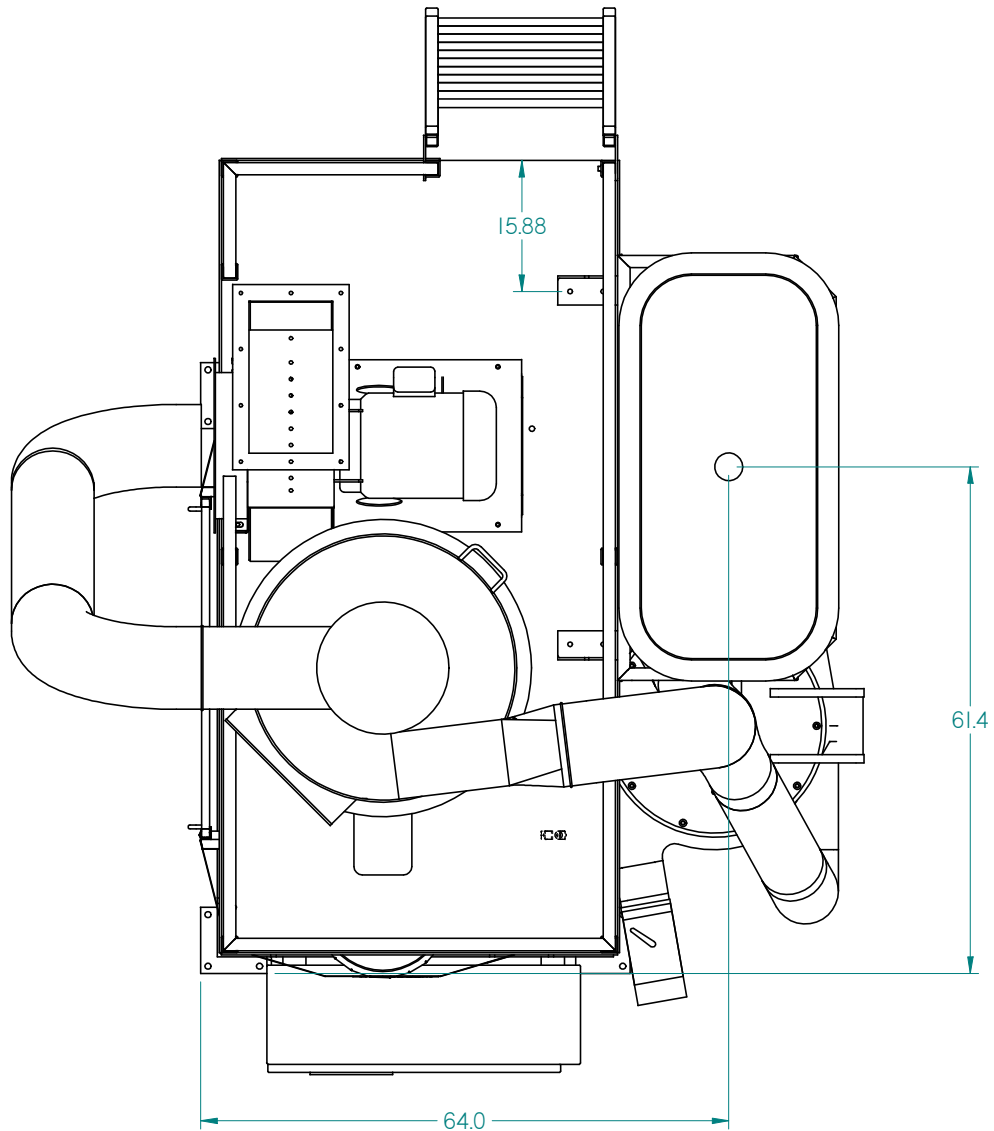



REVISION HISTORY			
REV	DESCRIPTION	DATE	APPROVED

DRAWN	NAME	DATE	 <b>Powder King</b>
CHECKED	Bill	3/19/2015	
ENG APPR			
MGR APPR			
UNLESS OTHERWISE SPECIFIED DIMENSIONS ARE IN INCHES ANGLES ±0.5° 2 PL ±0.01 3 PL ±0.005			TITLE <b>PKA-VELOCITY</b>
SIZE	DWG NO	MATERIAL	REV
D		PKA-VELOCITY	
SCALE	WEIGHT	SHEET 1 OF 2	

REVISION HISTORY			
REV	DESCRIPTION	DATE	APPROVED



NAME	DATE	Powder King 	
DRAWN: Bill	3/19/2015	TITLE	<b>PKA-VELOCITY</b>
CHECKED:		SIZE	<b>D</b>
ENG APPR:		DWG NO	<b>PKA-VELOCITY</b>
MGR APPR:		MATERIAL	
UNLESS OTHERWISE SPECIFIED DIMENSIONS ARE IN INCHES ANGLES ±0.5° 2 PL +0.01 3 PL +0.005		SCALE:	WEIGHT:
		SHEET 2 OF 2	