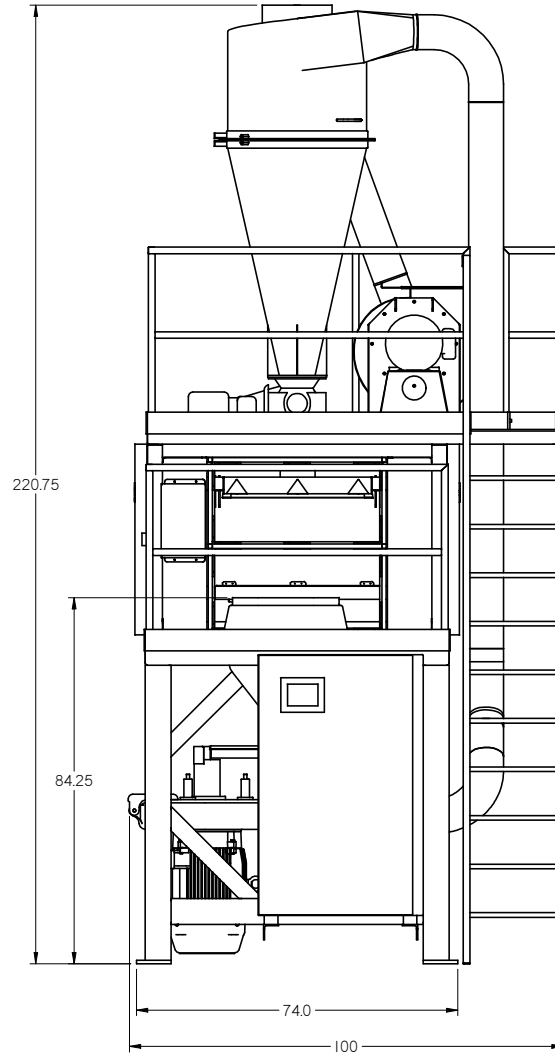
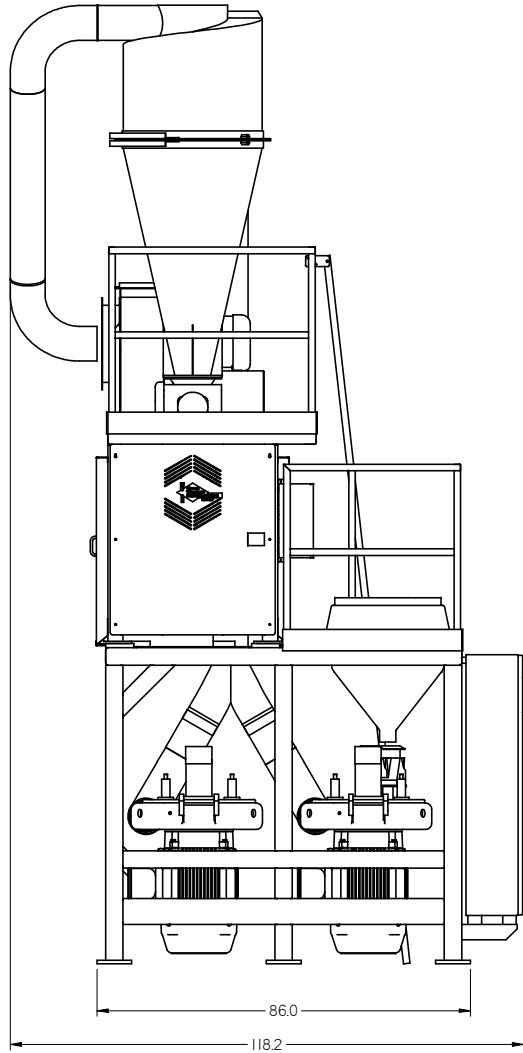

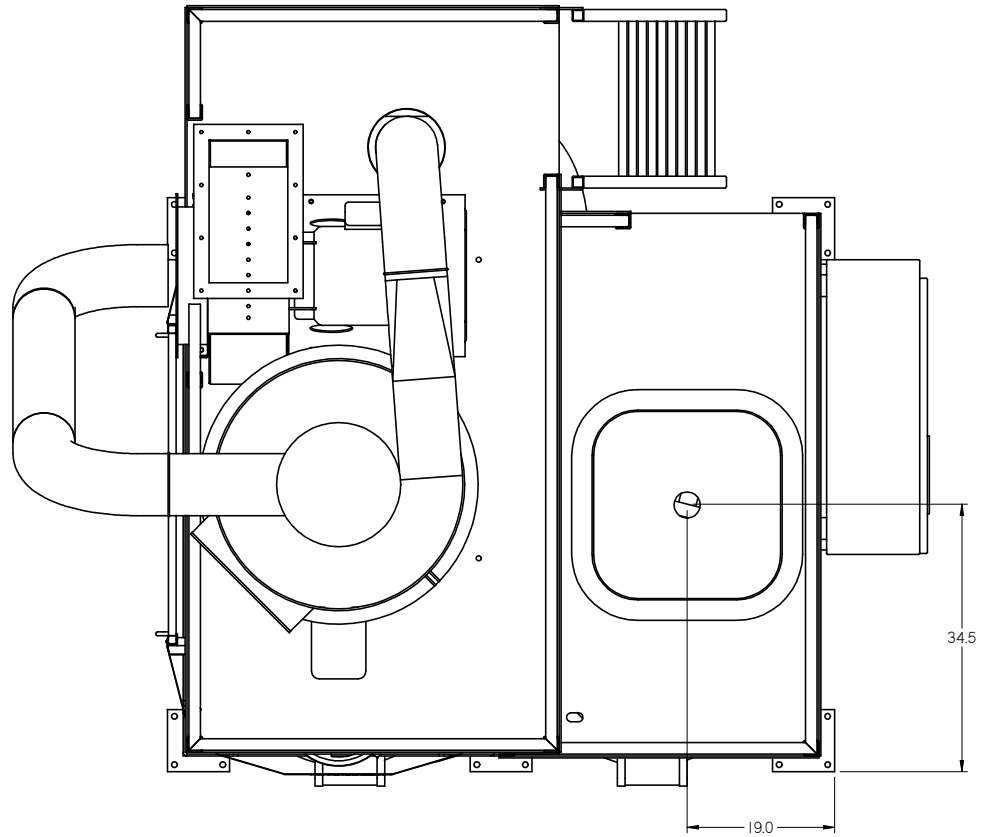



REVISION HISTORY			
REV	DESCRIPTION	DATE	APPROVED



	NAME	DATE	
DRAWN	ME	4/26/2008	
CHECKED			
ENG APPR			
MGR APPR			TITLE PKA-220
UNLESS OTHERWISE SPECIFIED DIMENSIONS ARE IN MILLIMETERS ANGLES ±0.5° 2 PL ±0.01 3 PL ±0.005			SIZE DWG NO D PKA-220
MATERIAL:			REV
SCALE:	WEIGHT:	SHEET 1 OF 2	

REVISION HISTORY			
REV	DESCRIPTION	DATE	APPROVED



	NAME	DATE	
DRAWN	ME	4/26/2008	
CHECKED			
ENG APPR			
MGR APPR			TITLE PKA-220
UNLESS OTHERWISE SPECIFIED DIMENSIONS ARE IN MILLIMETERS ANGLES ±0.5° 2 PL ±0.01 3 PL ±0.005			SIZE DWG NO D PKA-220
MATERIAL:			REV
SCALE:	WEIGHT:	SHEET 2 OF 2	