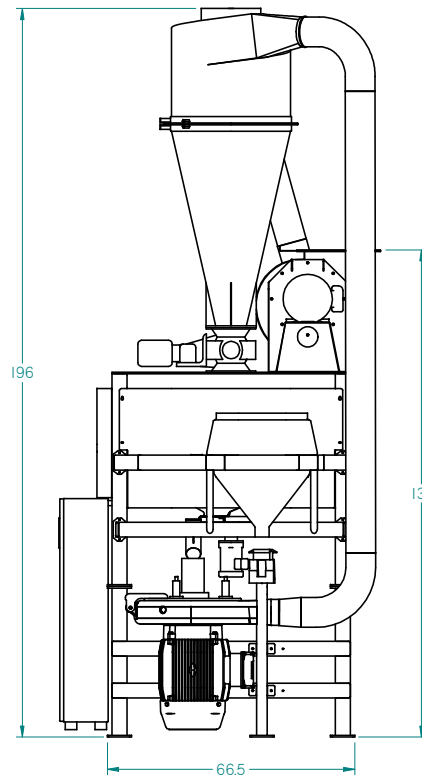
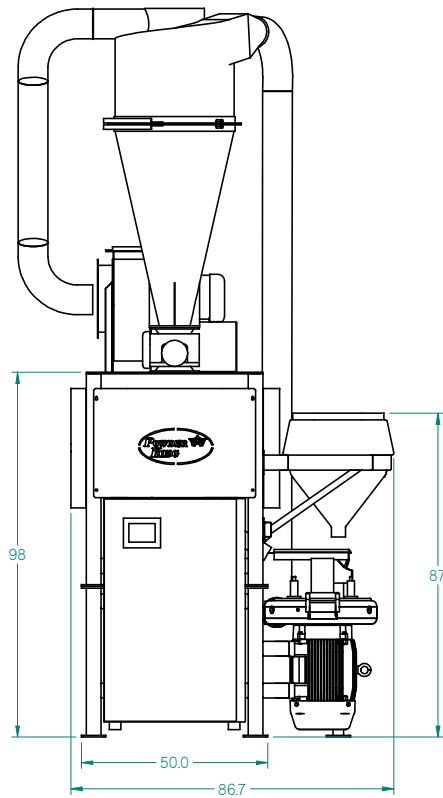
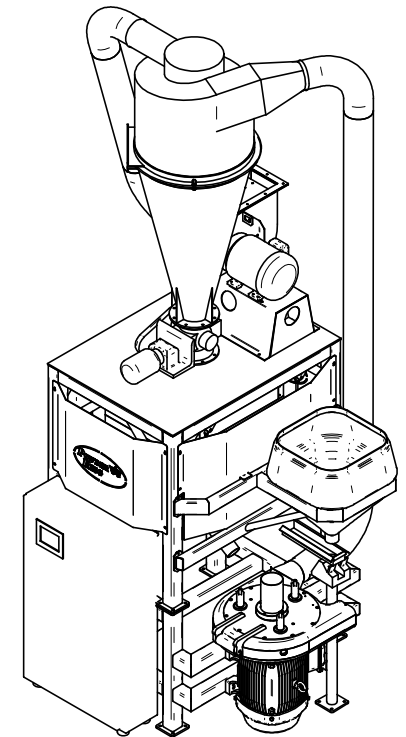
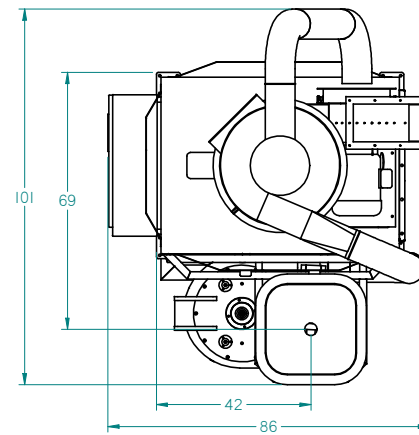



REVISION HISTORY			
REV	DESCRIPTION	DATE	APPROVED



DRAWN	ME	DATE	7/16/2008	
CHECKED				
ENG APPR				
MGR APPR				
UNLESS OTHERWISE SPECIFIED DIMENSIONS ARE IN MILLIMETERS ANGLES ±0.5° 2 PL ±0.01 3 PL ±0.005			SIZE D DWG NO PKA-120 MATERIAL: SCALE: WEIGHT: SHEET 1 OF 1	